

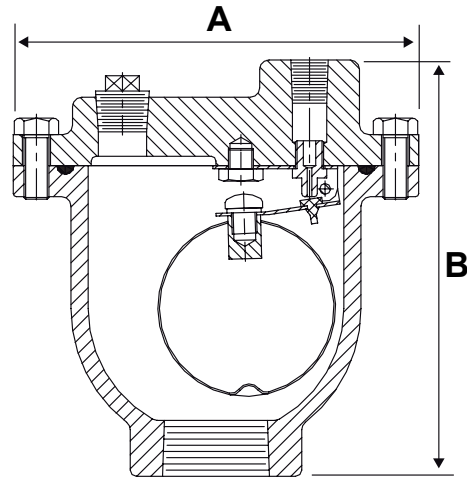
## Air Vent Valve

### AV

# Trim Valves

#### Technical Features

- Sizes available (Nominal) : DN15/1/2", DN20/3/4" and DN25/1"
- Pressure data :  
Nominal pressure : 12.1 bar (175 psi)  
Shell test pressure : 24.1 bar (350 psi)  
Seat test pressure : 24.1 bar (350 psi)
- Finish : Red oxide approved for water use.
- Connections : Threaded BSP or NPT.



#### Air Vent Valve - AV

#### Physical Data

Nominal Pipe Size		Thread Size		Orifice Size (mm / inch)	Dimensions (mm / inch)		Reference		Weight (kg / lbs)
Metric	inch	inlet	outlet		A	B	BSP Thread	NPT Thread	
DN15	1/2"	DN15 / 1/2"	DN15 / 1/2"	1.60 / 0.063	121 / 4.8	133 / 5.3	AV-0050B	AV-0050	2.5 / 5.5
DN20	3/4"	DN20 / 3/4"	DN15 / 1/2"	1.60 / 0.063	121 / 4.8	133 / 5.3	AV-0075B	AV-0075	2.5 / 5.5
DN25	1"	DN25 / 1"	DN15 / 1/2"	1.60 / 0.063	121 / 4.8	133 / 5.3	AV-0100B	AV-0100	2.5 / 5.5

#### Air Vent Valve - AV

#### Materials List

Item	Description	Material	Specification	
1	Body	Cast Iron	BS 1452 Gr.220	ASTM A126-CI.B
2	Cover	Cast Iron	BS 1452 Gr.220	ASTM A126-CI.B
3	Lever	Stainless Steel	BS 970 304 S15	ASTM A240 T304
4	Seat	Stainless Steel		ASTM A276 T304
5	Float	Stainless Steel	BS 970 304 S15	ASTM A240 T304
6	Gasket	Non-asbestos	Commercial	
7	Cover Bolt	Carbon Steel		SAE Grade 5
8	Float Arm	Stainless Steel	BS 970 304 S15	ASTM A240 T304
9	Orifice Button	Viton		
10	Pivot Pin	Stainless Steel	BS 970 304 S15	ASTM A267 T303
11	Pin Retainer	Stainless Steel		PH 15-7 MO
12	Pin Plug	Malleable Iron		
13	Locator	Stainless Steel		ASTM A 276 T18-8

